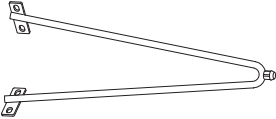

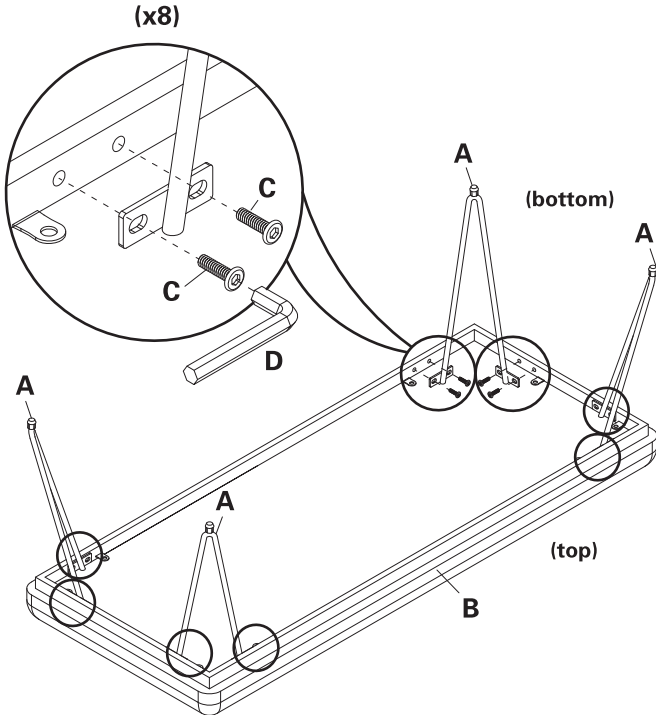
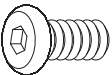
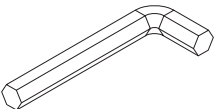
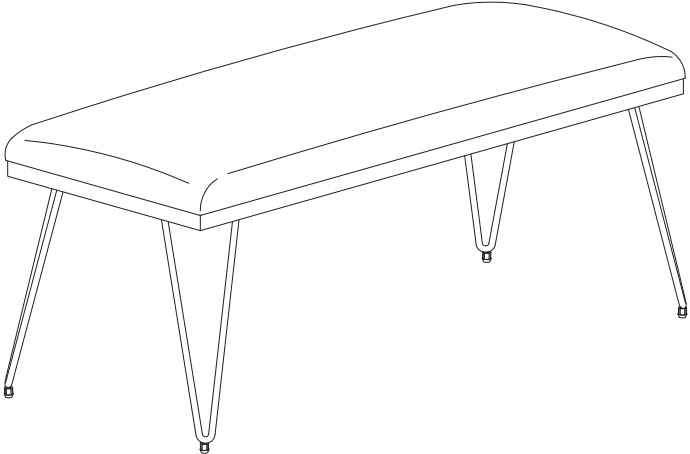


MYRA LINEN MODERN BENCH

ASSEMBLY INSTRUCTIONS

FIRSTIME & CO.[®]
— AMERICAN DESIGNED —

PARTS	STEP 1	FULLY ASSEMBLED
<p>A</p>  <p>4 PC</p>	<p>STEP 1 Attach legs (A) to the bottom of the seat frame (B). Tighten screws 75%. Once legs are installed, tighten all screws 100%.</p>	
<p>B</p>  <p>1 PC</p>	<p>(x8)</p> 	
<p>C</p>  <p>16 PC</p>		
<p>D</p>  <p>1 PC</p>		

NOTE: DO NOT TIGHTEN SCREWS 100% UNTIL FULLY ASSEMBLED.