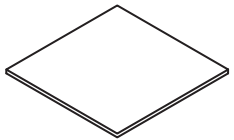
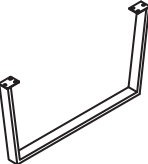
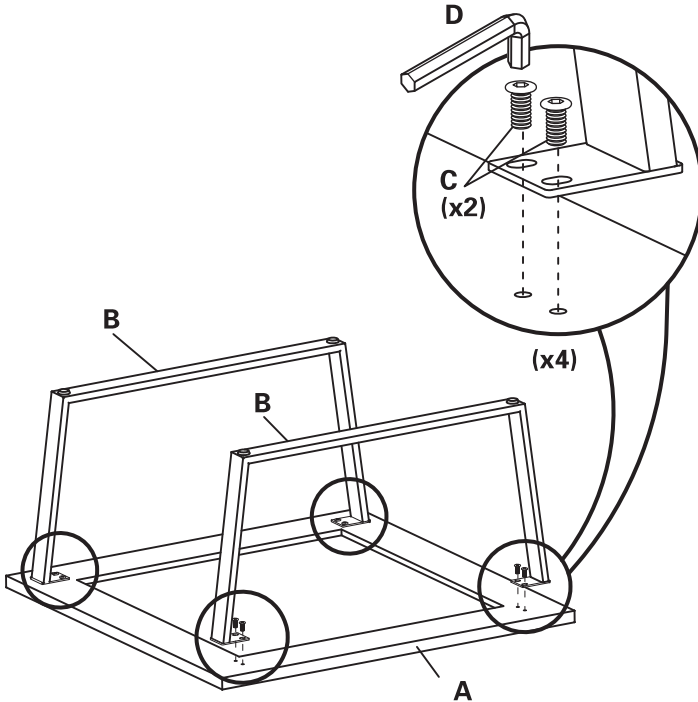


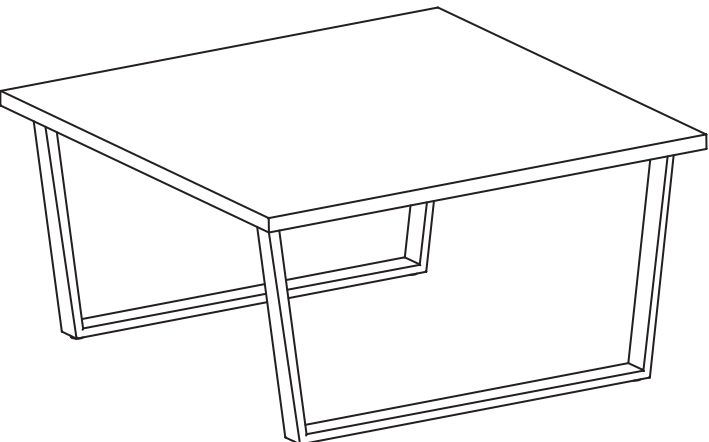


ADRIAN MARBLEIZED COFFEE TABLE

ASSEMBLY INSTRUCTIONS

FIRSTIME & CO.[®]
— AMERICAN DESIGNED —

PARTS	STEP 1	FULLY ASSEMBLED
<p>A</p>  <p>1 PC</p>	<p>Attach legs (B) to the table top (A), tighten screws 75%. Once all are installed, tighten screws 100%</p>	
<p>B</p>  <p>2 PC</p>		
<p>C</p>  <p>8 PC</p>		
<p>D</p>  <p>1 PC</p>		

NOTE: DO NOT TIGHTEN SCREWS UNTIL COMPLETELY ASSEMBLED