
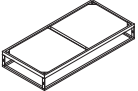
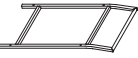

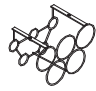
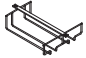








# WOOD FRANCESCA BAR CART

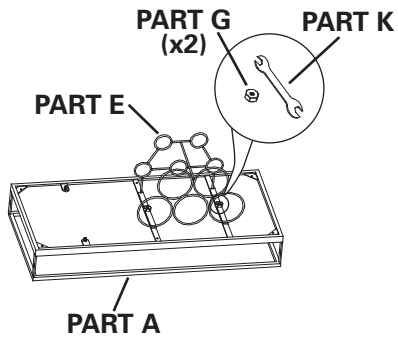
## ASSEMBLY INSTRUCTIONS

FIRSTIME & CO.<sup>®</sup>  
— AMERICAN DESIGNED —

<b>PART A</b>  1 PC	<b>PART B</b>  1 PC	<b>PART C</b>  1 PC	<b>PART D</b>  1 PC	<b>PART E</b>  1 PC	<b>PART F</b>  1 PC	<b>PART G</b>  4 PC	<b>PART H</b>  8 PC	<b>PART I</b> with brake  2 PC	<b>PART J</b>  2 PC	<b>PART K</b>  1 PC	<b>PART L</b>  1 PC
---	--	--	--	--	---	--	--	--	--	--	--

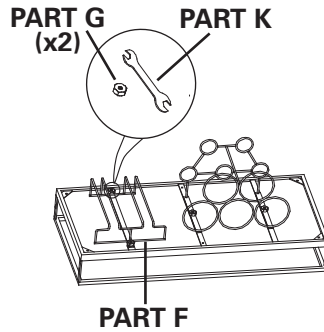
### STEP 1

Attach wine rack



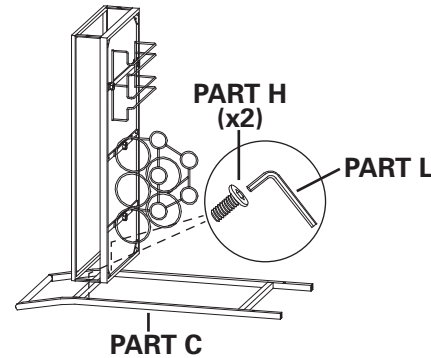
### STEP 2

Attach glass holder



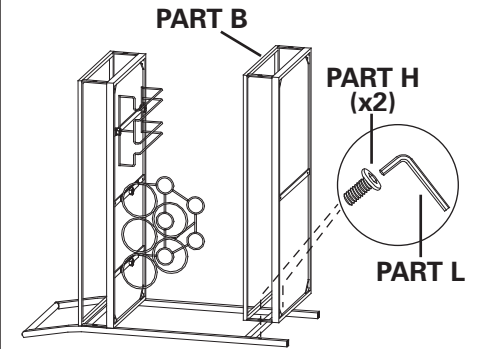
### STEP 3

Attach top tray



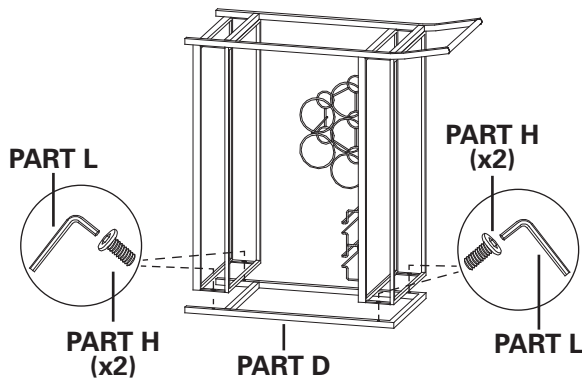
### STEP 4

Attach bottom tray



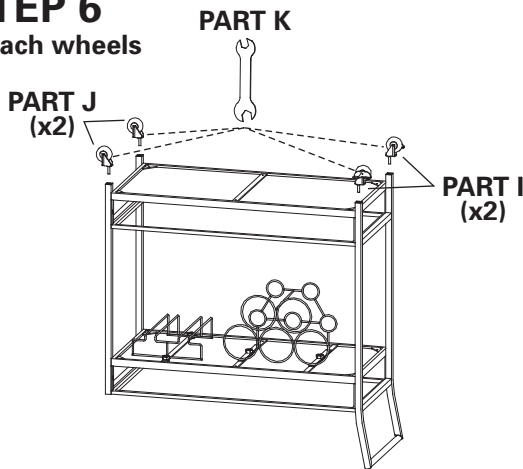
### STEP 5

Attach front bar



### STEP 6

Attach wheels



### FULLY ASSEMBLED

