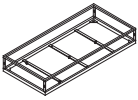
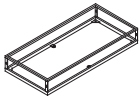
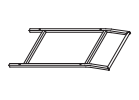
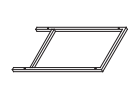
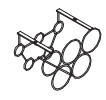
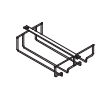
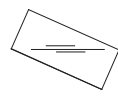









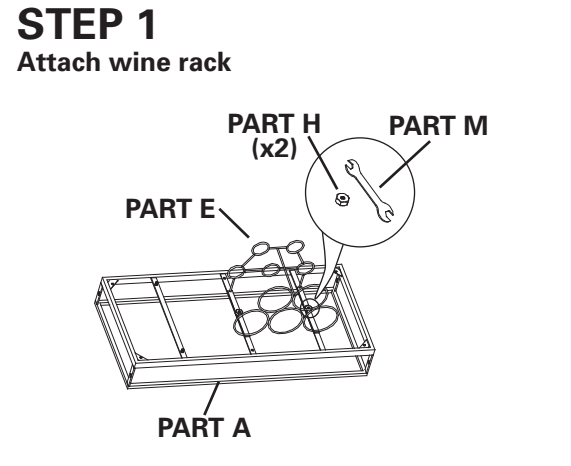
GLASS FRANCESCA BAR CART

ASSEMBLY INSTRUCTIONS

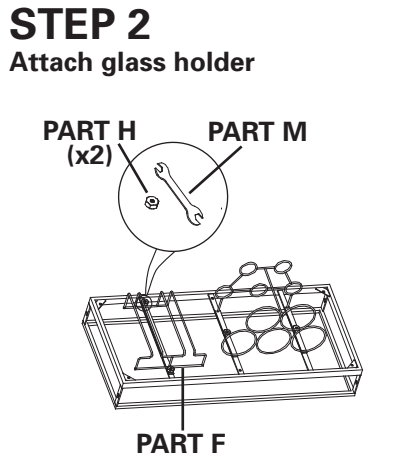
FIRSTIME & CO.[®]
— AMERICAN DESIGNED —

PART A  1 PC	PART B  1 PC	PART C  1 PC	PART D  1 PC	PART E  1 PC	PART F  1 PC	PART G  2 PC	PART H  4 PC	PART I  8 PC	PART J  12 PC	PART K with brake  2 PC	PART L  2 PC	PART M  1 PC	PART N  1 PC
---	--	--	--	--	--	---	--	--	---	---	--	--	--

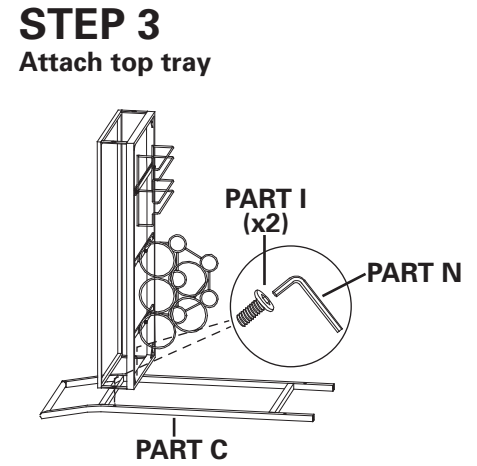
STEP 1
Attach wine rack



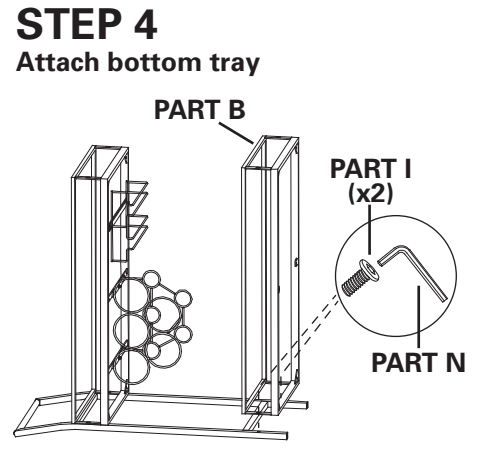
STEP 2
Attach glass holder



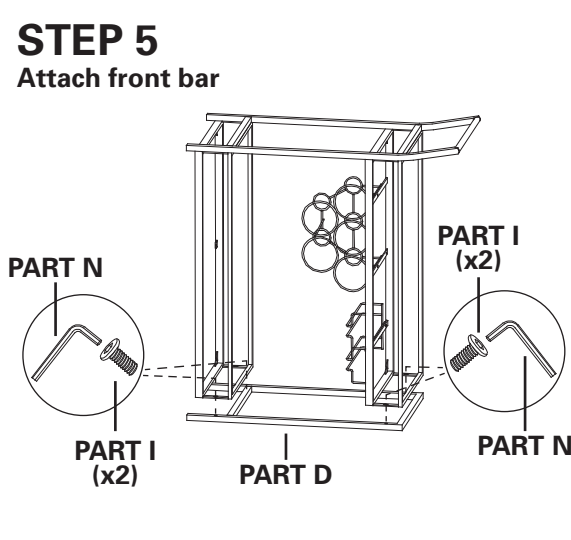
STEP 3
Attach top tray



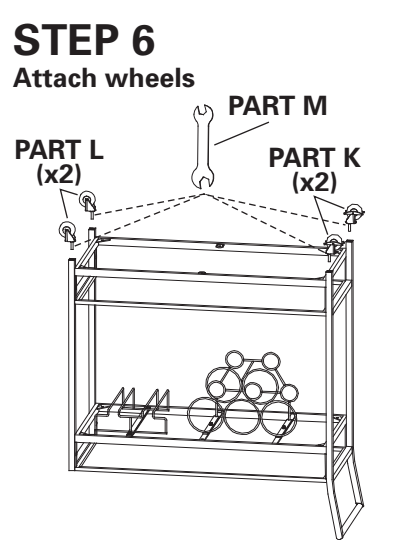
STEP 4
Attach bottom tray



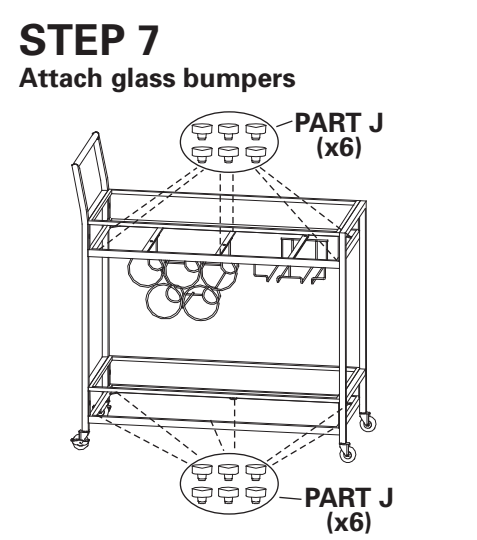
STEP 5
Attach front bar



STEP 6
Attach wheels



STEP 7
Attach glass bumpers



STEP 8
Install glass

