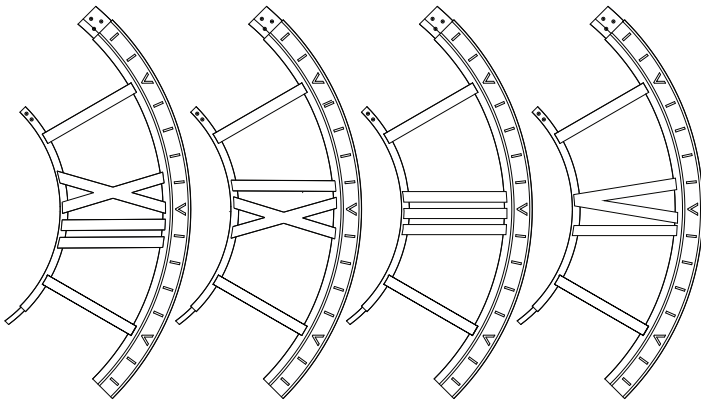


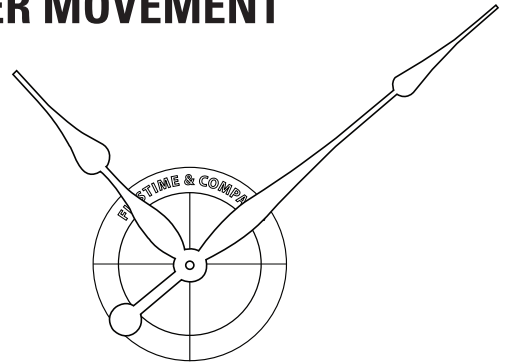
## CONTENTS

### NUMERAL QUADRANTS



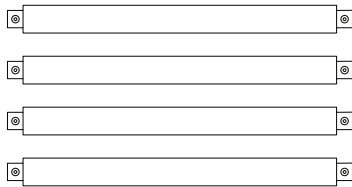
**A** quadrants 4 PCS

### CENTER MOVEMENT



**B** center movement 1 PC

### SPOKES



**C** center spokes 4 PCS

### HARDWARE



**D** screws 28 PC

## INSTRUCTIONS

**Read carefully before assembling wall clock**

*NOTE: Use a hand screwdriver for assembly.*

**DO NOT OVERTIGHTEN SCREWS**

1. Lay out all quadrants (**A**) in their correct positions on the floor to create a circle. (XII should be the top quadrant. III should be the right quadrant. VI should be the lower quadrant. And IX should be the left quadrant.)
2. Attach quadrants to each other from the back using 5 screws (**D**) on each panel.
3. Lay center movement (**B**) on the floor in between the assembled outer quadrants. Be sure the hands are placed in front of the clock quadrants before continuing assembly.
4. Using the 4 center spoke pieces (**C**), attach the center movement to the outer quadrants from the back using the remaining 8 screws (**D**).
5. To activate your clock, insert one "AA" battery (not included) as indicated by the symbols on the battery case. To set time, move dial on rear of clock in either a clockwise or counterclockwise direction until the hands indicate the correct time
6. Hang your clock and enjoy!

