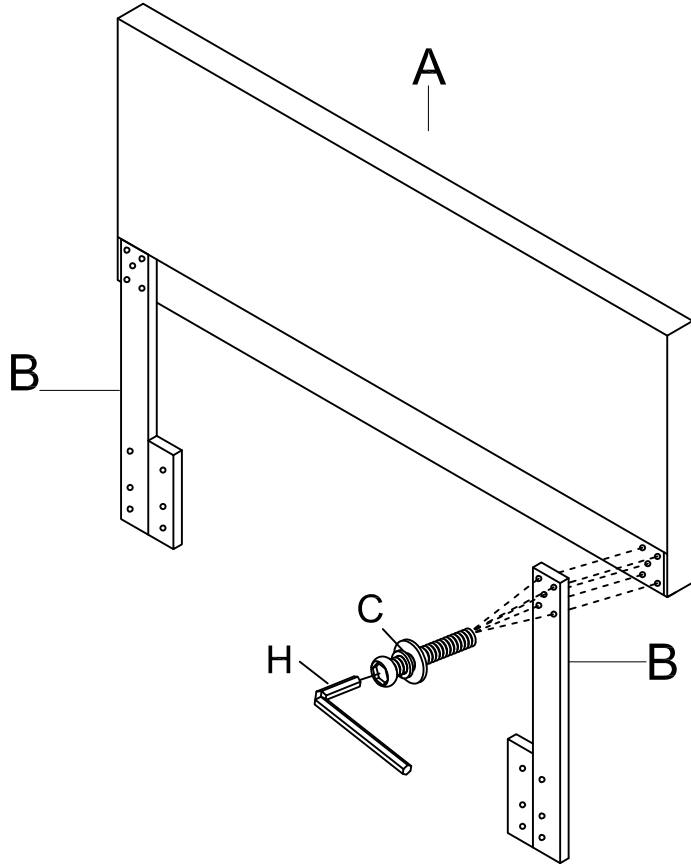


# ASSEMBLY INSTRUCTIONS

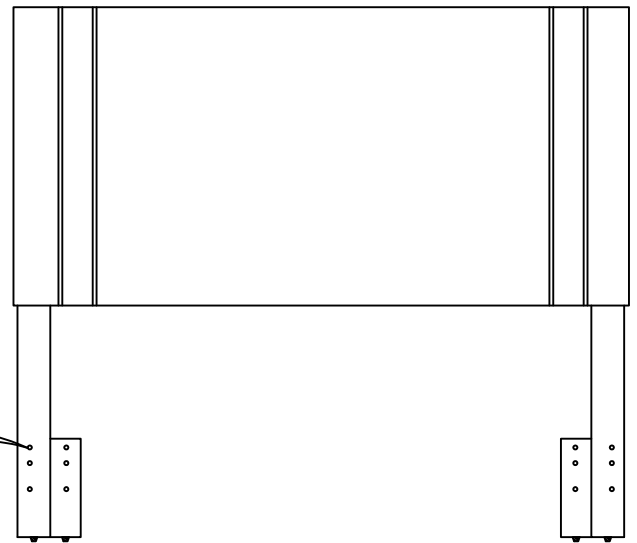
## STEP 1



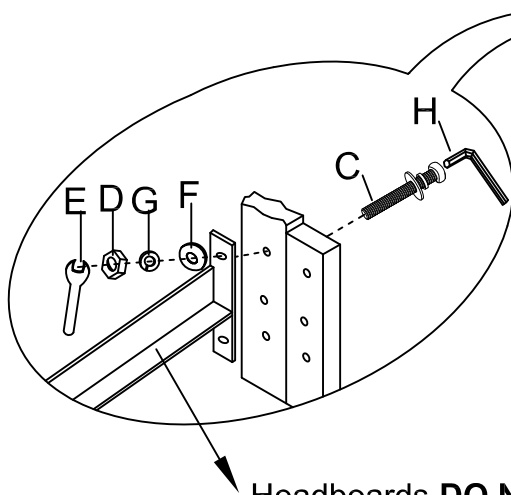
## PARTS LIST

NO.	SKETCH	QTY
A		1 pc
B		2 pcs
C		14 pcs
D		4 pcs
E		1 pc
F		4 pcs
G		4 pcs
H		1 pc

## STEP 2



**Do not fully tighten screws until completely assembled.**



Headboards **DO NOT** include the rails.

**To prevent fading, avoid placing in direct sunlight.  
Spot Clean Only**