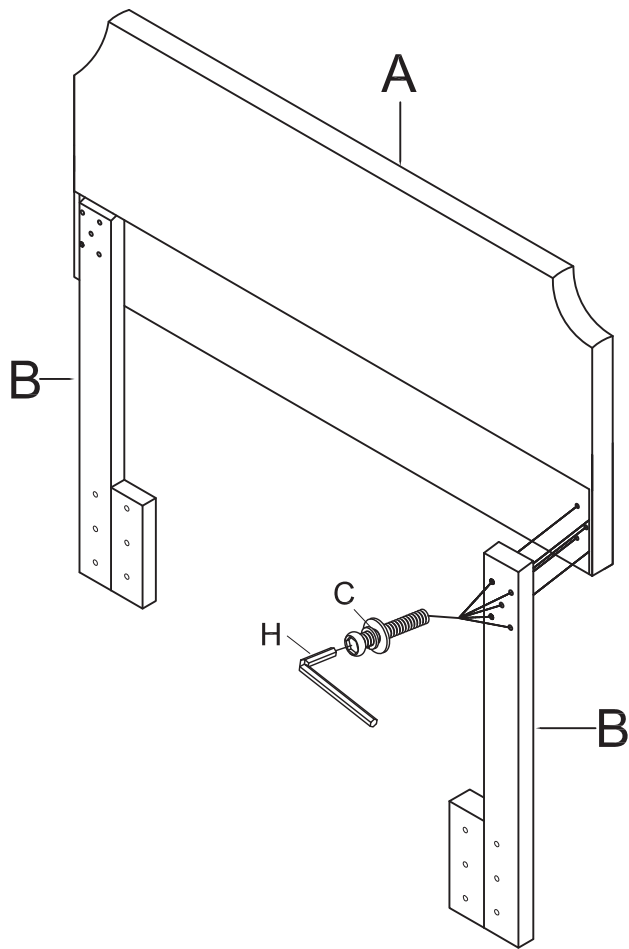


ASSEMBLY INSTRUCTIONS

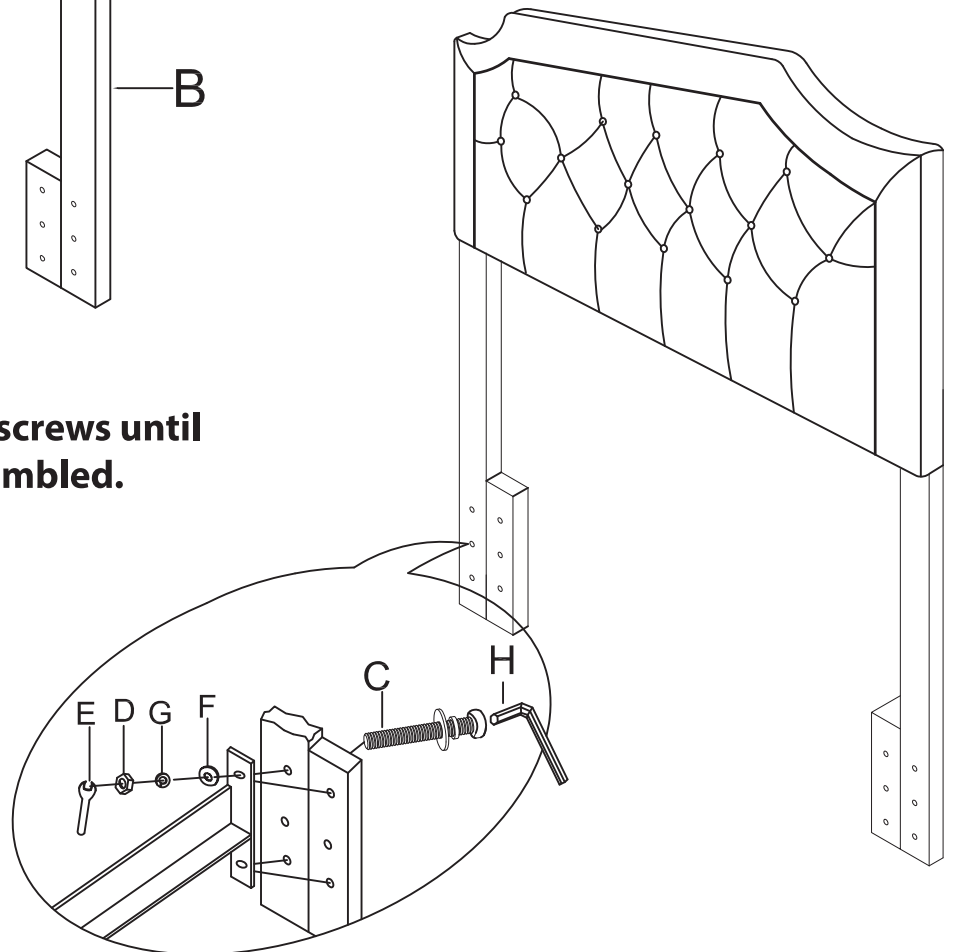
STEP 1



Parts List

NO.	SKETCH	QTY
A		1 pc
B		2 pcs
C	$\phi \frac{5}{16}'' \times 2\frac{1}{4}''$	14 pcs
D	$\phi \frac{5}{16}''$	4 pcs
E	12mm	1 pc
F	$\phi \frac{5}{16}''$	4 pcs
G	$\phi \frac{5}{16}''$	4 pcs
H	$\phi \frac{5}{16}''$	1 pc

STEP 2



Do not fully tighten screws until completely assembled.

**To prevent fading, avoid placing in direct sunlight.
Spot Clean Only**