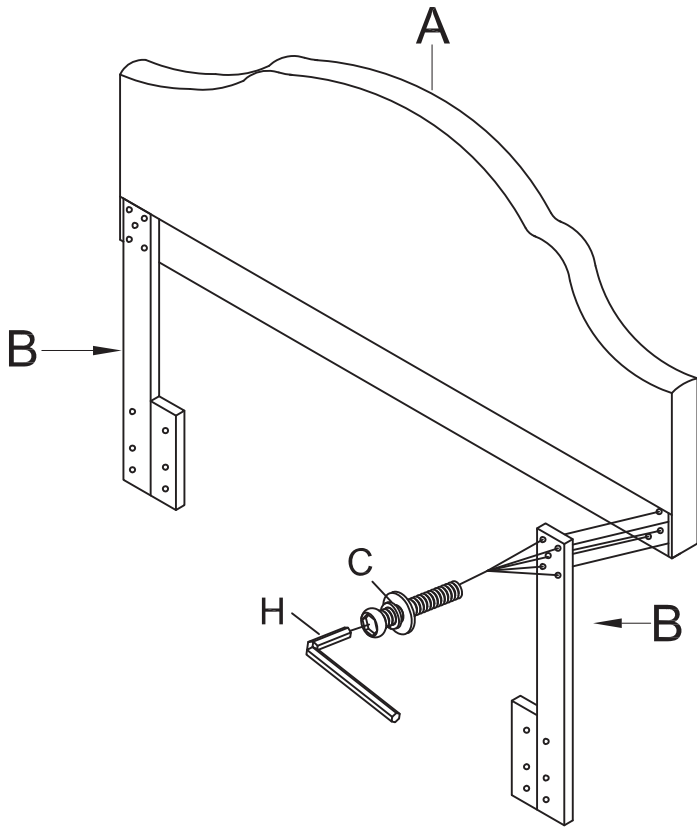


ASSEMBLY INSTRUCTIONS

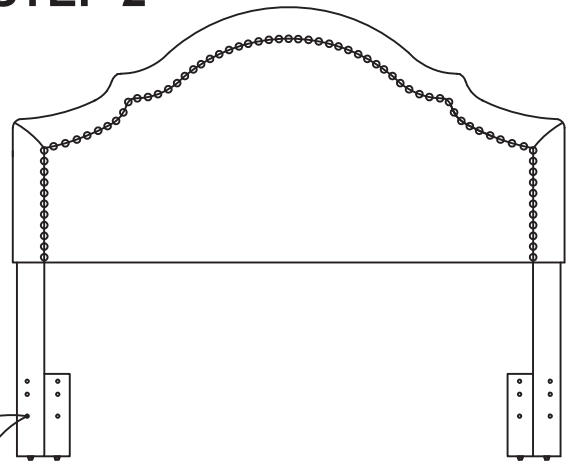
STEP 1



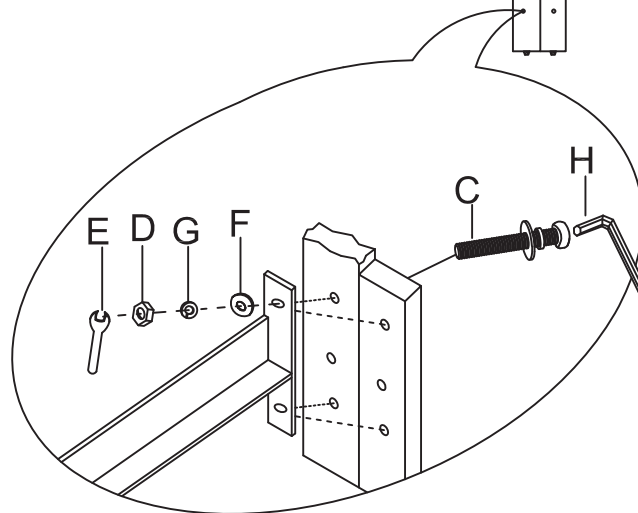
Parts List

NO.	SKETCH	QTY
A		1 pc
B		2 pcs
C		14 pcs
D		4 pcs
E		1 pc
F		4 pcs
G		4 pcs
H		1 pc

STEP 2



Do not fully tighten screws until completely assembled.



**To prevent fading, avoid placing in direct sunlight.
Spot Clean Only**