

FIRSTIME & CO.[®]
— AMERICAN DESIGNED —

INSTRUCTION MANUAL



70025 Ciao Comfort
Folding Bed

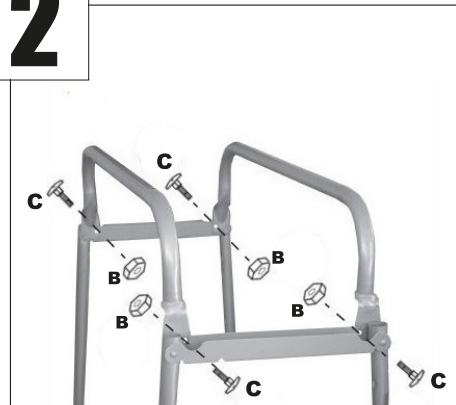
CIAO COMFORT FOLDING BED

FIRSTIME & CO.®

1



2



ASSEMBLY INSTRUCTIONS

- 1) Open bed and remove parts for assembly.
- 2) Open central leg and fix part "C", from outside to inside. Fix screw with nut (part "B").
- 3) Put caster (part "A") and bar (part "H") into the hole. Fix with nut (part "F").
- 4) Stand bed upright and insert the four plastic leg caps (part "E") by inserting the center tabs into the holes on the outside legs.
From the outside to the inside, screw part "D" into the side holes and fix with nut (part "B").

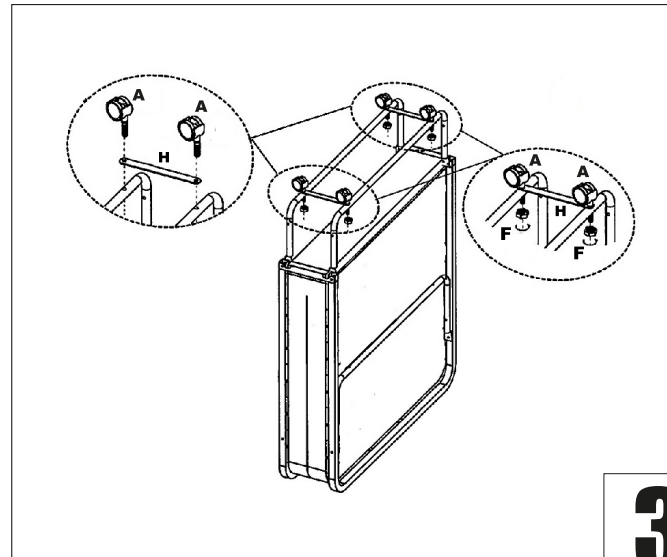
TO USE BED

- 1) Unfold legs by pulling each leg upward until it is perpendicular to the side of the folded bed.
 - 2) Release the clip-lock bar (part "G") on top of folded bed by grasping finger hole at one end and pulling upward. When clip-lock bar releases, lower one side of the bed until the leg rest on the floor. Then, lower the opposite side of the bed until the other leg rests on the floor and is fully open.
- NOTE: AS CLIP-LOCK IS RELEASED, HOLD THE HANDLES ON TOP OF THE BED TO PREVENT BED FROM OPENING TOO RAPIDLY.**
- 3) After use, fold bed and secure with clip-lock bar for easy storage.

CONTENTS

A		x 4
B	 6mm	x 8
C	 6x12	x 4
D	 6x30	x 4
E		x 4
F	 8mm	x 4
G		x 1
H		x 2

tools required



3

4

