

**FIRSTIME & CO.**<sup>®</sup>  
— AMERICAN DESIGNED —

# INSTRUCTION MANUAL



70008 Hadley Gray  
Baluster Lamp

# ASSEMBLY INSTRUCTIONS

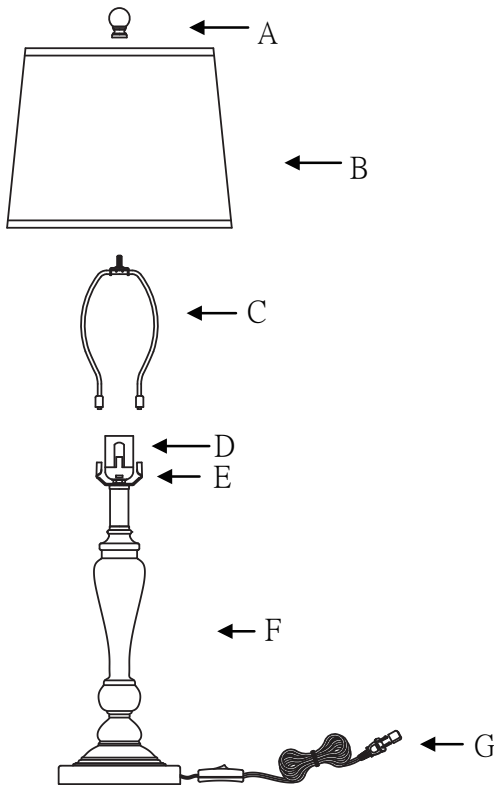
Congratulations! You are now the proud owner of a fine table lamp. It has been carefully designed and crafted to give you years of dependable operation. Read these instructions thoroughly before assembling and operating your lamp in order to become familiar with its features and assure proper performance.

AC 120V ~60Hz

Type A light bulb: 60 watt max

Self-balasted light bulb: 13 watt max.

\*Light bulb not included.



MODEL:70008

## Parts:

A - Finial

B - Shade

C - Harp

D - Socket

E - Harp Holder

F - Base

G - Cord

## Steps:

1. Screw light bulb securely into socket (D).
2. Squeeze the two pronged open end of the harp (C) and insert it into the harp holder (E). Slide the small metal caps on the harp down over the harp ends & harp holder.
3. Set the shade (B) on top of the harp (C).
4. Securely screw the finial (A) to the top harp (C).

**FIRSTIME & CO.**  
— AMERICAN DESIGNED —  
*established in 1990*

FOLLOW US @firsttimeandcompany



www.firsttime.com  
clocks@firsttime.com